

4

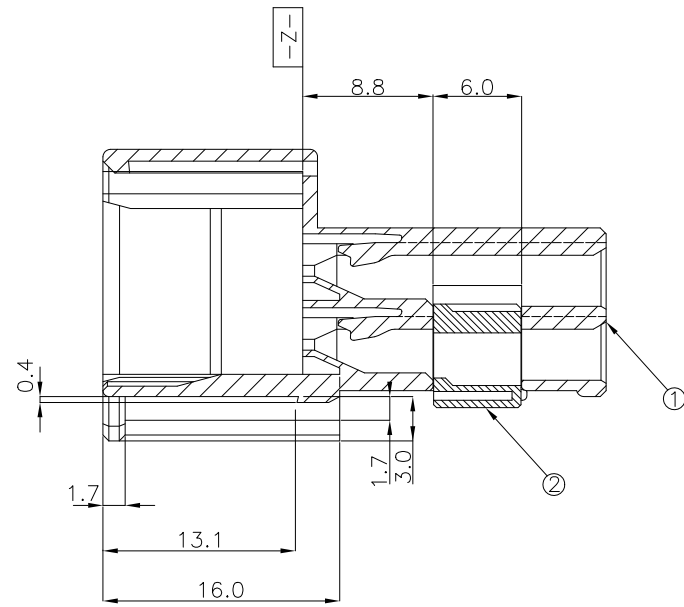
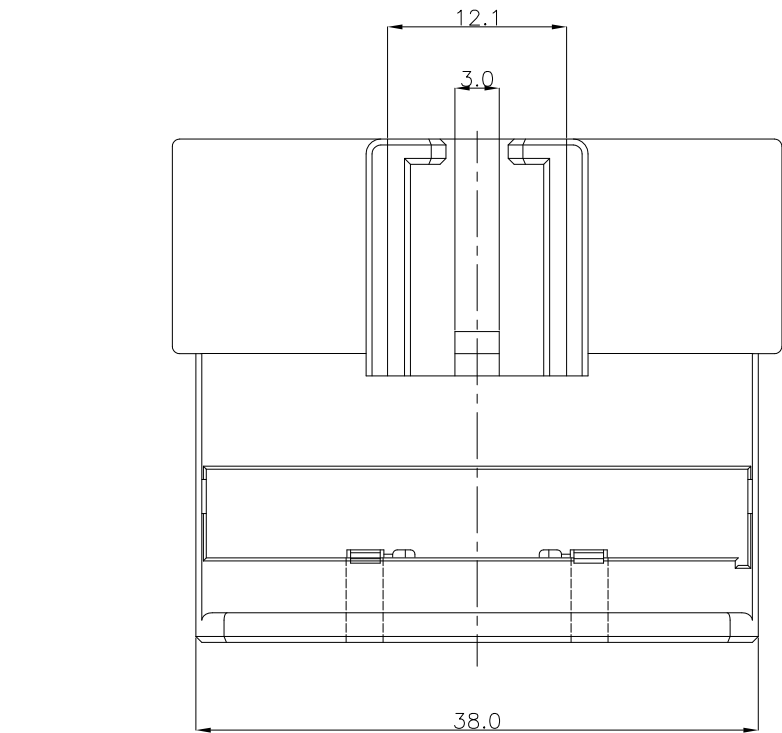
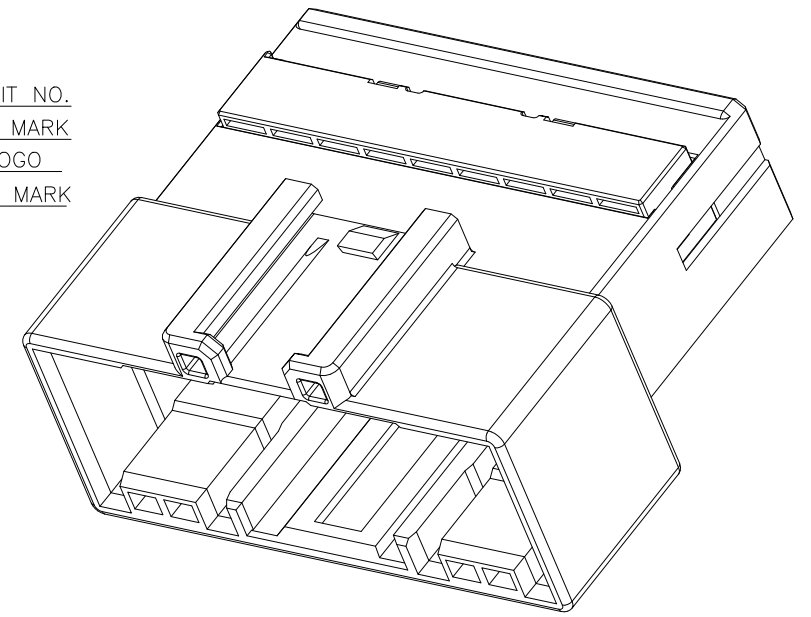
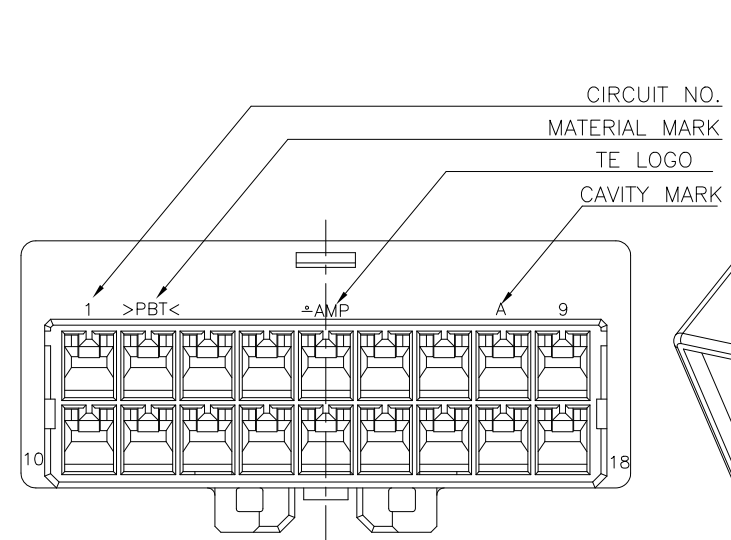
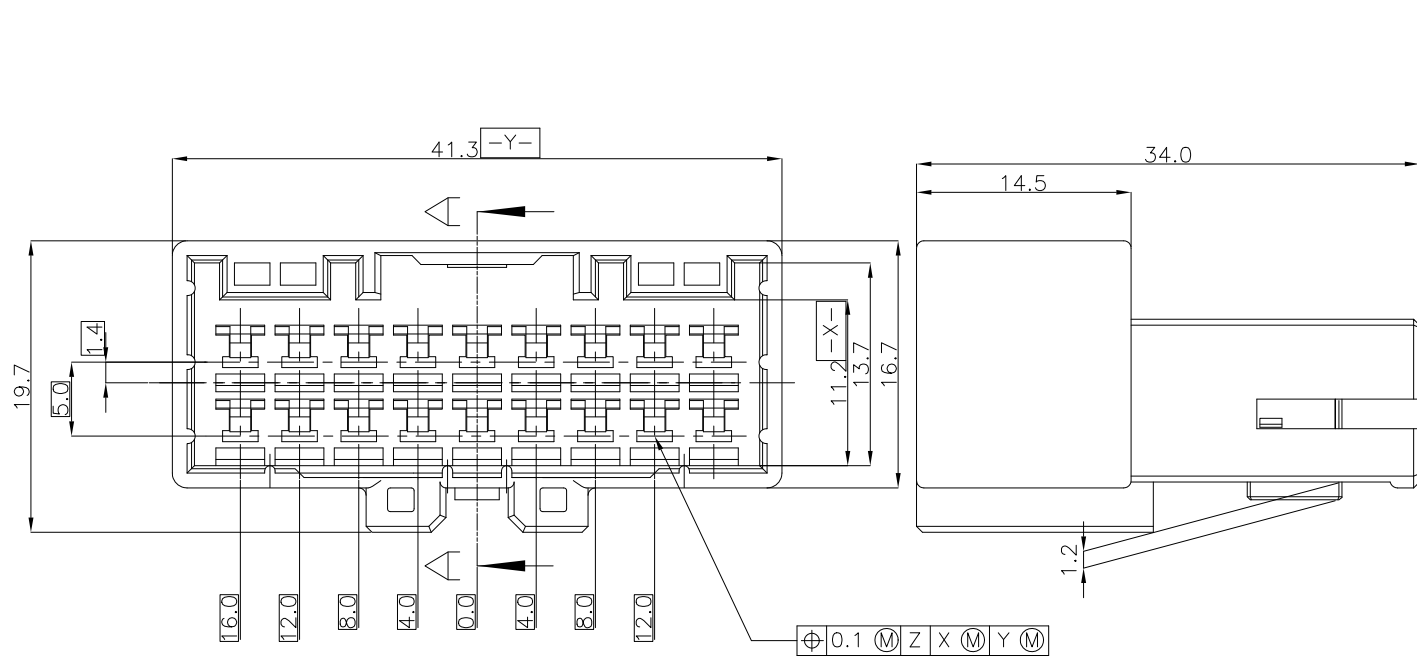
3

2

1

THIS DRAWING IS UNPUBLISHED. RELEASED FOR PUBLICATION  
COPYRIGHT BY TYCO ELECTRONICS CORPORATION, ALL RIGHTS RESERVED.

| LOC | DIST | REVISIONS |     |                         |            |       |      |
|-----|------|-----------|-----|-------------------------|------------|-------|------|
|     |      | P         | LTR | DESCRIPTION             | DATE       | DWN   | APVD |
| DS  | -    |           | A   | REVISED (FC00-0014-03)  | 28.JAN.'03 | KTLIM | CS   |
|     |      |           | A1  | REVISED (ECR-09-005035) | 24.MAR.'09 | KT    | HG   |



SECTION A-A

NOTES.

1. THE MATING HSG. P/N ; 936204
2. APPLIED CONTACT P/N ; 090 II TAB. - 368086, 368087, 368088, 1897752

-주 기-

1. 상대 하우징 P/N. ; 936204
2. 적용단자 P/N. ; 090 II TAB. - 368086, 368087, 368088, 1897752

(A1)

(A1)

| ASSY P/N   |
|------------|
| 0-936213-8 |
| 0-936213-7 |
| 0-936213-6 |
| 0-936213-5 |
| 0-936213-4 |
| 0-936213-3 |
| 0-936213-2 |
| 0-936213-1 |

| NO | COLOR   | MATERIAL | DESCRIPTION | P/N        | QTY             |
|----|---------|----------|-------------|------------|-----------------|
| 1  | BLUE    | PBT      | CAP         | 0-936214-8 | 1               |
|    | GREEN   | PBT      | CAP         | 0-936214-7 | 1               |
|    | RED     | PBT      | CAP         | 0-936214-6 | 1               |
|    | YELLOW  | PBT      | CAP         | 0-936214-5 | 1               |
|    | BROWN   | PBT      | CAP         | 0-936214-4 | 1               |
|    | D/GRAY  | PBT      | CAP         | 0-936214-3 | 1               |
|    | BLACK   | PBT      | CAP         | 0-936214-2 | 1               |
|    | NATURAL | PBT      | CAP         | 0-936214-1 | 1               |
| 2  | NATURAL | PBT      | DBL         | 0-936206-1 | 1 1 1 1 1 1 1 1 |

THIS DRAWING IS A CONTROLLED DOCUMENT FOR TYCO ELECTRONICS CORPORATION IT IS SUBJECT TO CHANGE AND THE CONTROLLING ENGINEERING ORGANIZATION SHOULD BE CONTACTED FOR THE LATEST REVISION.

|                |   |
|----------------|---|
| DIMENSIONS: MM | TOLERANCES UNLESS OTHERWISE SPECIFIED:<br>0 <XX<10 ± 0.2<br>10<XX<30 ± 0.25<br>30<XX ± 0.3<br>ANGLES ± 3° |
| MATERIAL       | FINISH  |
| SEE TABLE      |   |

DWN KT JUNG  
CHK JW JUNG  
APVD HG CHD  
PRODUCT SPEC -  
APPLICATION SPEC -  
WEIGHT -

**Tyco Electronics** AMP KOREA, Kyungsan, Korea  
NAME: 090III 18P CAP ASS'Y  
SIZE: A3 CAGE CODE: 00779 DRAWING NO: C-936213 RESTRICTED TO: -  
CUSTOMER DRAWING SCALE: 2/1 SHEET: 1 OF 1 REV: A1